

THIS DRAWING IS UNPUBLISHED. RELEASED FOR PUBLICATION
 © COPYRIGHT - By - ALL RIGHTS RESERVED.

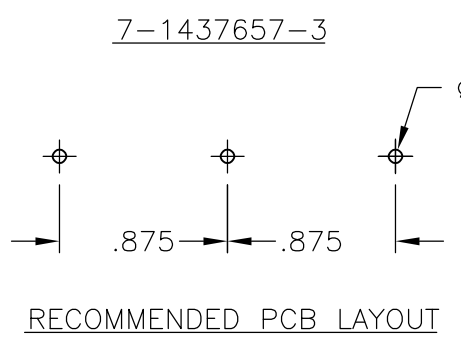
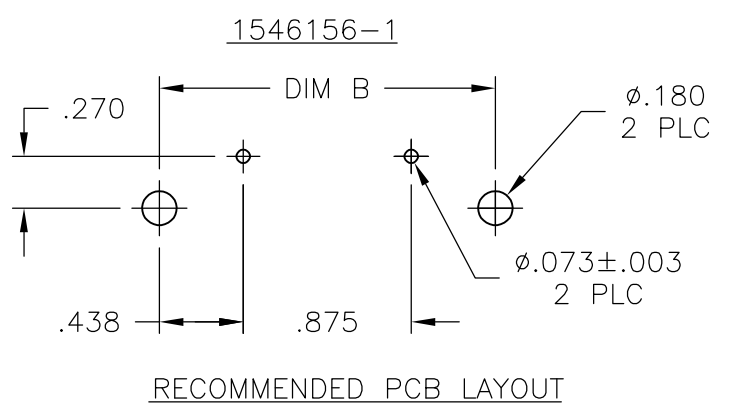
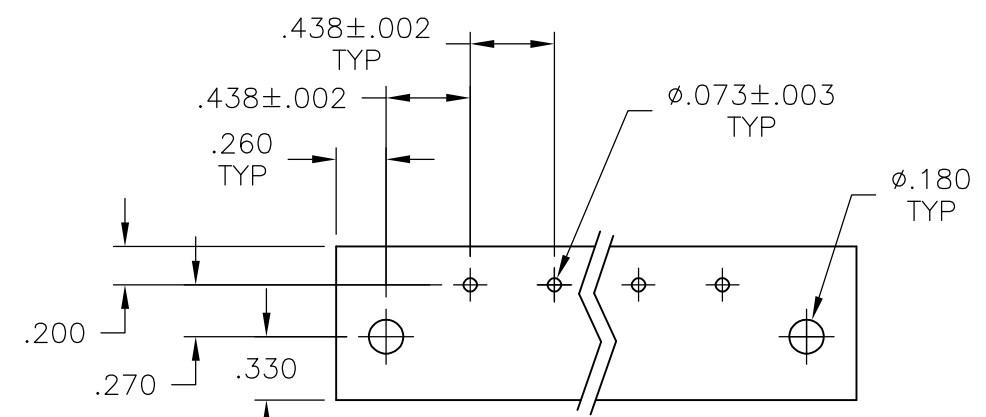
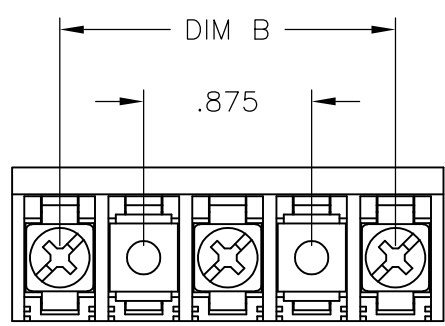
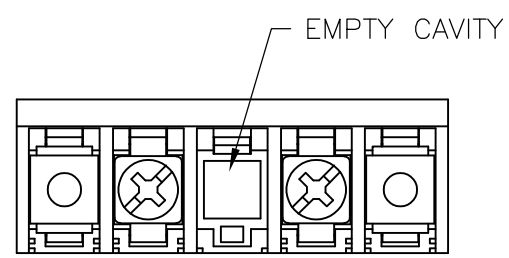
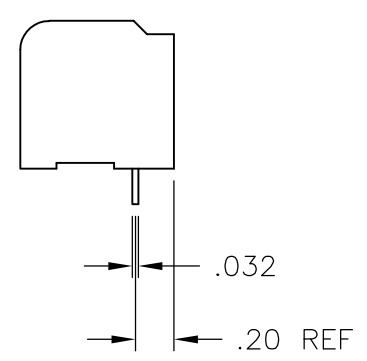
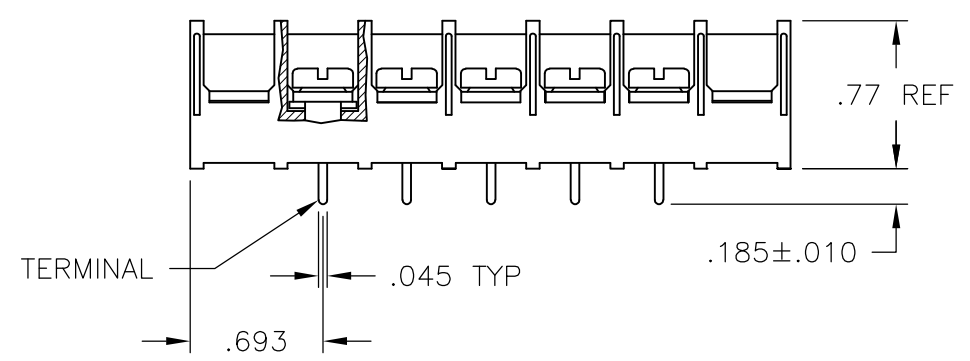
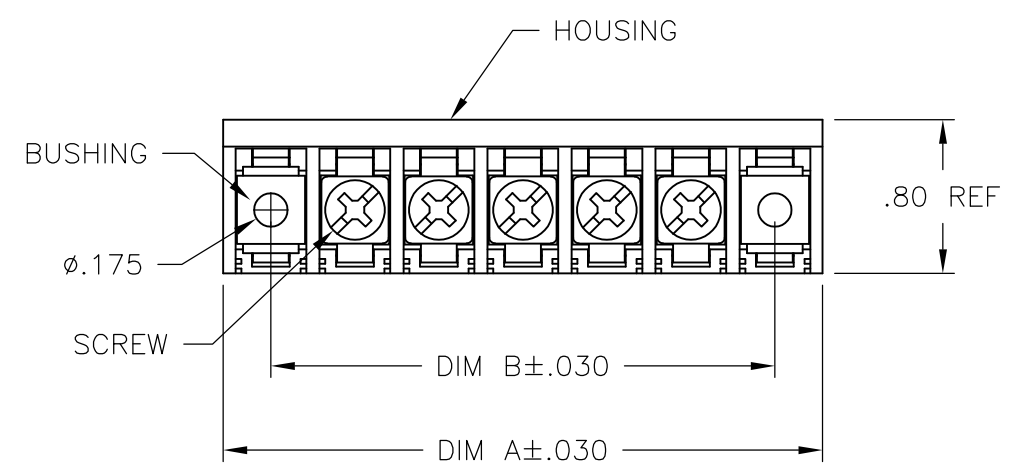
LOC FT	DIST 0	REVISIONS			
P	LTR	DESCRIPTION	DATE	DWN	APVD
	F2	REVISED PER ECO-11-004820	11MAR11	RK	HMR

MATERIALS:
 HOUSING: THERMOPLASTIC, UL94V-0, BLACK.
 TERMINAL: COPPER ALLOY, PLATING BRIGHT TIN OVER NICKEL.
 SCREWS: 8-32 ZINC PLATED STEEL.

ELECTRICAL:
 CURRENT RATING: 30A
 VOLTAGE RATING: 600V
 WIRE RANGE: 10-18 AWG (UL)
 10-22 AWG (CSA)

MECHANICAL:
 RECOMMENDED TORQUE: 20 IN-LB.
 OPERATING TEMP.: -40°C TO +120°C.

1 SCREWS TO BE BOTTOMED.



THIS DRAWING IS A CONTROLLED DOCUMENT.		DWN S SCHLEGEL	2/25/03	STE TE Connectivity	
DIMENSIONS: INCHES		CHK H WAKEEM	2/25/03		
TOLERANCES UNLESS OTHERWISE SPECIFIED:		APVD H WAKEEM	2/25/03	NAME	
0 PLC ± -		PRODUCT SPEC		8PCV-XX-008 ASSEMBLY	
1 PLC ± -		APPLICATION SPEC		SIZE	RESTRICTED TO
2 PLC ± .01		-		A3	-
3 PLC ± .005		-		CAGE CODE	DRAWING NO
4 PLC ± -		-		00779	C-7-1437657-1
ANGLES ± 1°		WEIGHT		-	
MATERIAL		-		CUSTOMER DRAWING	
FINISH		-		SCALE	SHEET
-		-		1:1	1 OF 2
				REV	F2

4

3

2


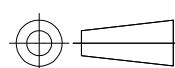
1

THIS DRAWING IS UNPUBLISHED. RELEASED FOR PUBLICATION - . - .
 © COPYRIGHT - By - ALL RIGHTS RESERVED.

LOC	DIST	REVISIONS				
P	LTR	DESCRIPTION	DATE	DWN	APVD	
		SEE SHEET 1	-	-	-	

DIM B	DIM A	NO OF POS	CATALOG NUMBER	PART NO
8.312	8.822	18	8PCV-18-008	1-1546570-8
7.875	8.385	17	8PCV-17-008	1-1546570-7
7.437	7.947	16	8PCV-16-008	1-1546570-6
7.000	7.510	15	8PCV-15-008	1-1546570-5
6.562	7.072	14	8PCV-14-008	1-1546570-4
6.125	6.635	13	8PCV-13-008	1-1546570-3
5.687	6.197	12	8PCV-12-008	7-1546159-6
5.250	5.760	11	8PCV-11-008	1-1546570-1
4.812	5.322	10	8PCV-10-008	7-1546159-3
4.375	4.885	9	8PCV-09-008	3-796615-1
3.937	4.447	8	8PCV-08-008	2-796615-9
3.500	4.010	7	8PCV-07-008	3-796615-0
3.062	3.572	6	8PCV-06-008	1437658-2
2.625	3.135	5	8PCV-05-008	9-1437657-1
2.187	2.697	4	8PCV-04-008	8-1437657-1
1.750	2.260	3	8PCV-03-534	7-1437657-3
1.750	2.260	3	8PCV-03-008	7-1437657-1
1.312	1.822	2	8PCV-02-SPCL	1546156-1
1.312	1.822	2	8PCV-02-008	1-1437660-6

SEE FIGURE
SEE FIGURE

THIS DRAWING IS A CONTROLLED DOCUMENT.		DWN S SCHLEGEL 2/25/03	 TE Connectivity		
DIMENSIONS: INCHES 		CHK H WAKEEM 2/25/03			
TOLERANCES UNLESS OTHERWISE SPECIFIED: 0 PLC ± - 1 PLC ± - 2 PLC ± .01 3 PLC ± .005 4 PLC ± - ANGLES ± 1°		APVD H WAKEEM 2/25/03	8PCV-XX-008 ASSEMBLY		
MATERIAL		PRODUCT SPEC	SIZE		
FINISH		APPLICATION SPEC	CAGE CODE	DRAWING NO	RESTRICTED TO
-		WEIGHT	A300779	C-7-1437657-1	-
CUSTOMER DRAWING			SCALE	SHEET	REV
			1:1	2 OF 2	F2